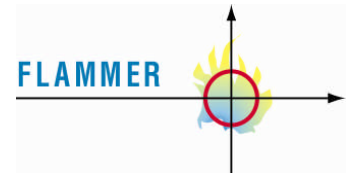


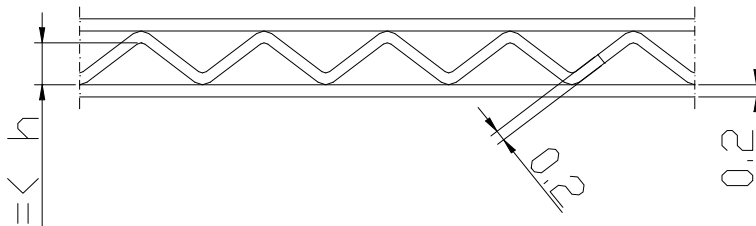
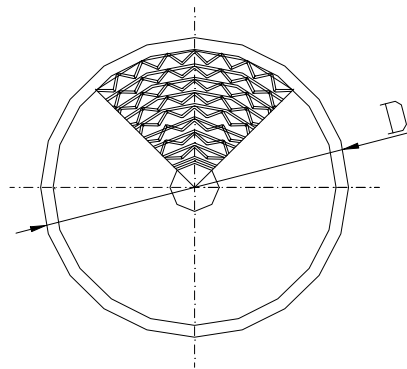
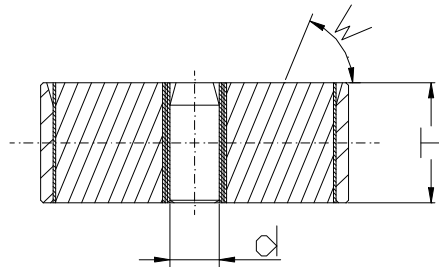
Inquiry: Ribbon Coil



Flammer GmbH
 Strombergstr. 73
 D- 74389 Cleebronn

Tel.: (+49) 07135 / 96 04 58
 Fax: (+49) 07135 / 96 04 59

info@flammergebmbh.de
 www.flammergebmbh.com



Geometric Data		Dimension [mm]	Tolerance [mm]
Height	H		
Height of capillary	h		
Diameter	D		
Diameter of the pin	d		
Angle of capillary	W		

Material	Steel 1.4310	Steel 1.4571
Quantity /year		
Lot / order		

20.12.2010